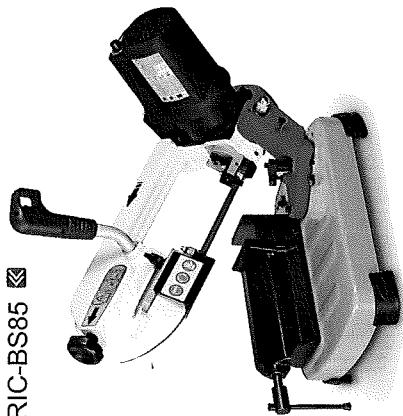


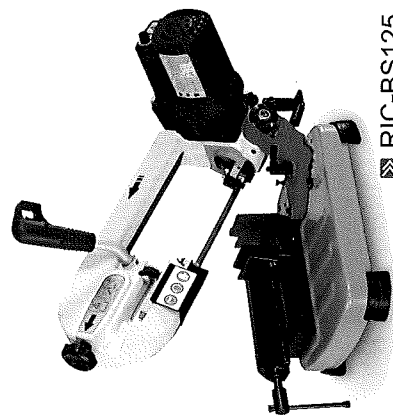
PORTABLE METAL CUTTING BAND SAW

RIC-BS85



Variable Speed

Capacity at 90°	Unit	RIC-BS85
	inch (mm)	<ul style="list-style-type: none"> ● 3-2/5" (85) ■ 3-2/5" (85) ■ 4"x3-2/5" (100x85)
Capacity at 45°	inch (mm)	<ul style="list-style-type: none"> ● 2-3/5" (65) ■ 2-3/5" (65) ■ 2-2/5"x2-3/5" (60x65)
Blade Speed	M/PM	30-80
Blade Size (LxWxH)	mm	1330x13x0.65
Motor	kW (HP)	0.85 (1.1)
Packing Size (LxWxH)	mm	650x310x450
N.W. / G.W.	kg	18 / 19



RIC-BS125

Variable Speed

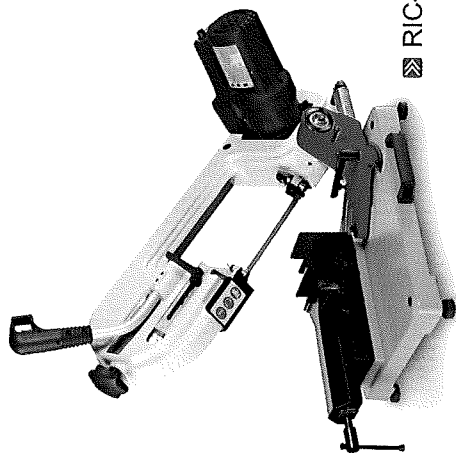
Capacity at 90°	Unit	RIC-BS125
	inch (mm)	<ul style="list-style-type: none"> ● 5" (125) ■ 5" (125) ■ 5-1/5"x5" (130x125)
Capacity at 45°	inch (mm)	<ul style="list-style-type: none"> ● 3-1/5" (80) ■ 3-1/5" (80) ■ 3-1/5"x3-1/5" (80x80)
Capacity at 60°	inch (mm)	<ul style="list-style-type: none"> ● 2" (50) ■ 2" (50) ■ 2"x2" (50x50)
Blade Speed	M/PM	30-80
Blade Size (LxWxH)	mm	1440x13x0.65
Motor	kW (HP)	1.01 (1.35)
Packing Size (LxWxH)	mm	724x375x446
N.W. / G.W.	kg	19 / 21

STANDARD ACCESSORIES:

- M42 Bi-metal Saw Blade
- CE Standard
- Blade Tension Gauge
- Protections for Overload & Temperature Rise

OPTIONAL ACCESSORIES:

- Machine Stand for BS85, BS170 & BS150NV
- Moveable Machine Stand



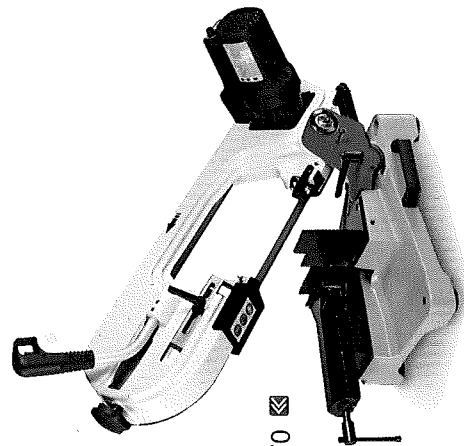
RIC-BS150NV

Variable Speed

Capacity at 90°	Unit	RIC-BS150NV
	inch (mm)	<ul style="list-style-type: none"> ● 6" (150) ■ 5-3/5" (140) ■ 6"x5-3/5" (150x140)
Capacity at 45°	inch (mm)	<ul style="list-style-type: none"> ● 4" (100) ■ 4" (100) ■ 4"x4" (100x100)
Capacity at 60°	inch (mm)	<ul style="list-style-type: none"> ● 2-4/5" (70) ■ 2-3/5" (65) ■ 2-3/5"x2-4/5" (65x70)
Blade Speed	M/PM	30-80
Blade Size (LxWxH)	mm	1735x13x0.9
Motor	kW (HP)	1.5 (2)
Packing Size (LxWxH)	mm	964x457x555
N.W. / G.W.	kg	30 / 32

Variable Speed

Capacity at 90°	Unit	RIC-BS170
	inch (mm)	<ul style="list-style-type: none"> ● 6-4/5" (170) ■ 6-4/5" (170) ■ 6-4/5"x6-4/5" (170x170)
Capacity at 45°	inch (mm)	<ul style="list-style-type: none"> ● 5-1/5" (130) ■ 5-1/5" (130) ■ 5-1/5"x6" (130x150)
Capacity at 60°	inch (mm)	<ul style="list-style-type: none"> ● 3" (75) ■ 3" (75) ■ 3"x3" (75x75)
Blade Speed	M/PM	30-80
Blade Size (LxWxH)	mm	2030x20x0.9
Motor	kW (HP)	1.65 (2.2)
Packing Size (LxWxH)	mm	1000x457x555
N.W. / G.W.	kg	35 / 38



RIC-BS170